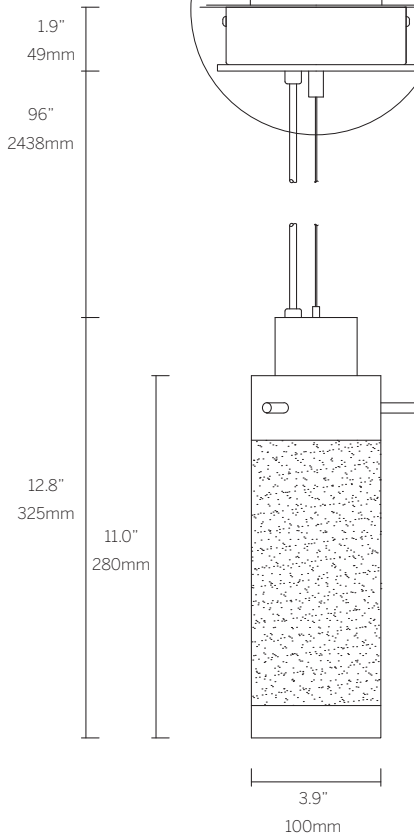
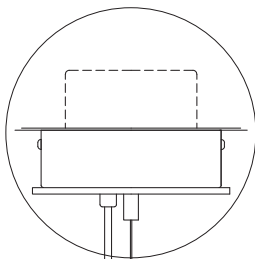
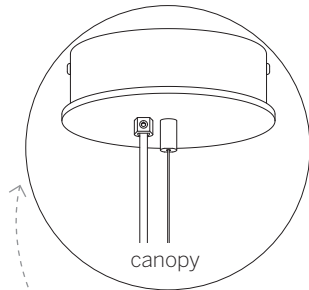
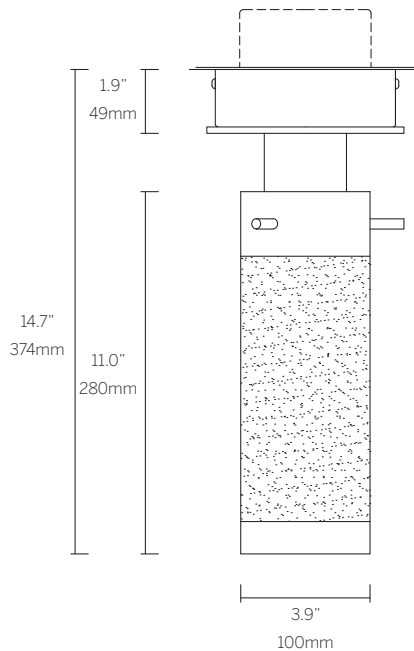


Fuse

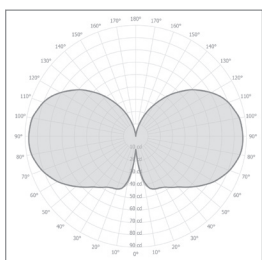
Fuse is used as general illumination as well as decorative feature either individually or suspended in groups. It has an even glow of light and is available fully dimmable.



Pendant



Ceiling



Notes

- ¹Nominal lumens
- ²82 CRI standard / 90 CRI available
- ³Canopy finish matches housing
- ⁴96" clear insulated cable standard

For up to date technical information, refer to almlighting.com

Model	1571	1571
Type		_____
P	Pendant	
C	Ceiling	
Size		_____
11	11"	
Custom		
Wattage¹		_____
L	8W (1066lm)	
Color Temp²		_____
827	2700	
830	3000	
835	3500	
840	4000	
Voltage		_____
U	120/277	
1	120VAC only	
Control (24V)		_____
S	Non-dim (Integral)	
D010	0-10V 10% (Integral)	
DFPN	Lutron Forward Phase 1% 120VAC (Integral)	
L3DAE	Lutron Hi-lume 1% EcoSystem (Integral)	
L3DOE	Lutron Hi-lume Premier 0.1% EcoSystem (Remote)	
Diffuser		_____
CG	Clear / satin glass	
		CG
Finish³		_____
12	Satin nickel	
19	Painted anodized aluminum - RAL 9006 matte	
21	Painted white - RAL 9010 matte	
22	Painted custom color	
Options		_____
CC	Clear insulated cable (standard) ⁴	
WC	White cable	
BC	Black cable	

